



**HENNEKEN**



# HPI INJECTORS

**BRINING BY MOISTURE INFUSION  
INTO BACON, HAMS AND MEATS**



# HENNEKEN INJECTORS ARE FOR BRINING AND MOISTURE INFUSION INTO MEATS & POULTRY

## HPI 300 INJECTOR

Henneken injector HPI 300 is the entry model of the HPI series.

The HPI 300 is an all-rounder which is suitable for bone-in and boneless products. The HPI 300 machine allows very good access due to its foldable hood and removable stainless-steel racks. The HPI 300 has easy access all round for fast and pinpoint cleaning.

The self-priming stainless-steel pump and forced injection are controlled by the stripper plate. This leads to very high injection precision at both low and high injection levels.

A very important feature of the HPI 300, is the flexible adjustment of the stripper plate. It can optionally stop above the product, or make contact with the product.

Toolless removal of the needles allows for easy cleaning. We offer different sizes of needles in 4mm (standard) 3mm, 2.5mm or 1.9mm in order to meet the requirements of the different products.

- *Heavy duty walking beam for product transport*
- *Force injection controlled by stripper plate*
- *Automatic brine "Stop on bone" contact*
- *Self-priming stainless-steel pump*
- *Bone in and boneless product injection*
- *Half and full advance of product*
- *Needle manifold for quick needle cleaning and change*
- *Membrane keyboard display*



HPI 300



## HPI 350 ECO INJECTOR

For small and medium capacities, HPI 350 ECO is the starter model of the industrial injectors.

The speed is adjustable from 15 to 55 strokes per minute.

With the HPI 350 choose from a variety of options including:

Touch Panel  
Brine Tank  
Anti-sedimentation Unit  
Double Pipe Heat Exchanger

## HPI 350 ECO

- *Push button controls*
- *2-way injection*
- *Dry run protection*
- *Heavy duty walking beam for product transport*
- *Force injection controlled by stripper plate*
- *Automatic brine Stop on bone contact*
- *Self-priming stainless-steel pump*
- *Bone in and boneless product injection*
- *Fully adjustable pneumatic needle retraction*



HPI 350 ECO INJECTOR



Analogue controls



HPI 350 & HPI 450 models require Compressed Air





## HPI 350 PRO INJECTOR

### HPI 350 PRO

Stroke height 240mm  
Max passage height 220mm

## HPI 350 PRO INJECTOR

There are several differences between the HPI 350 ECO and the HPI 350 PRO. The PRO has program save options via the touch screen. It has generous viewing panels and a larger feed belt.

The speed is adjustable from 15 to 55 strokes per minute.

With the HPI 350 PRO choose from a variety of options:

Brine Tank  
Anti-sedimentation Unit  
Double Pipe Heat Exchanger.

- *Touch screen control with program save*
- *Cleaning program*
- *1-way injection, for low injection rates*
- *Brine temperature sensor*
- *Extra high stroke height of 240mm*
- *Pneumatic pressure monitoring*
- *HP 350 + HPI 450 models require Compressed Air*



## HPI 450 INJECTOR

The HPI 450 is a heavy-duty industrial unit offering fully stainless-steel construction.

This unit is design for production of bone in and boneless products for high and low injection rates.

The standard unit is with a single needle head (108 needles ) but can be specified with a double head (216 needles) or tenderizing blades.

The rotary filter system with brine tank allows for full shift processing to ensure optimal brine filtration with minimal operator input.

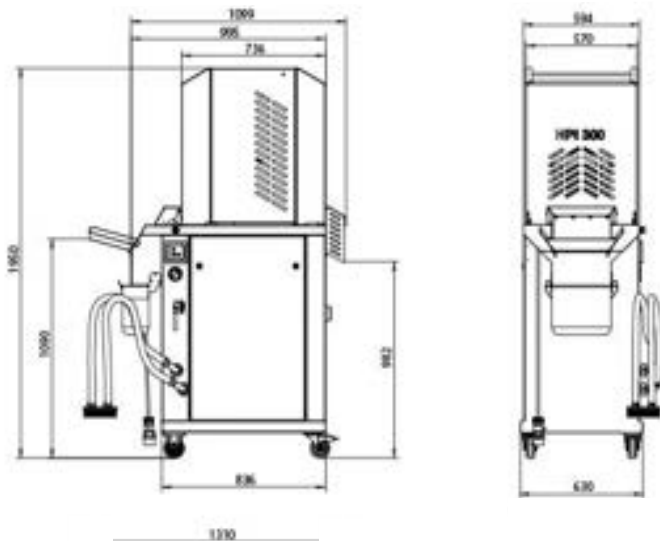
- *Heavy duty walking beam for product transport*
- *Force injection controlled by stripper plate*
- *Automatic brine "Stop on bone" contact*
- *Self-priming stainless-steel pump*
- *Bone in and boneless product injection*
- *Fully adjustable pneumatic needle retraction*
- *Touch screen control with saveable programs*
- *Cleaning program*
- *1-way injection, for low injection rates*
- *Brine temperature sensor*
- *Pneumatic pressure monitoring with inline filter and 200ltr brine tank / rotary filter*
- *HP 350 + HPI 450 models require Compressed Air*



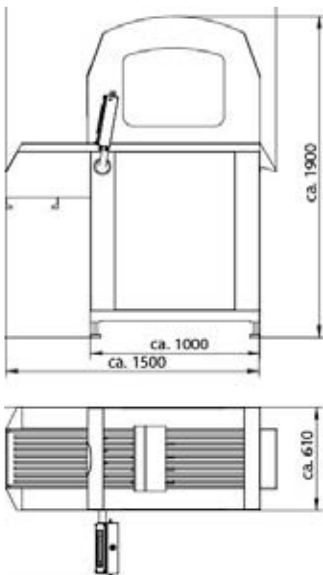
With Brine  
Filtration Tank



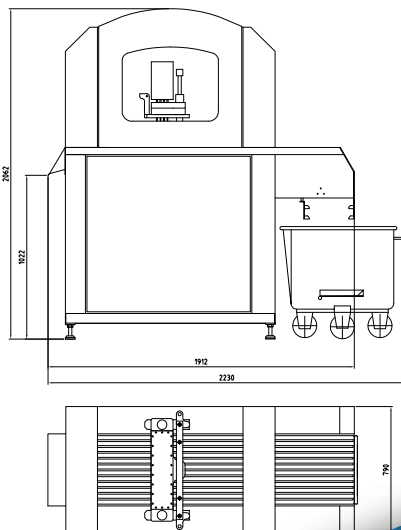
## HPI 300



## HPI 350 ECO & HPI 350 PRO



## HPI 450



## TECHNICAL DATA

### HPI 300

Working width	300mm
Quantity of needles	24
Standard needle diameter	4mm
Transport system	walking beam
Stroke height	200mm
Max passage height	180mm
Injection pressure	0.5 – 4 Bar
Stroke speed	50/min
Injection area m/h	15
Max capacity in kg/hr	500 approx.
Connected power kW	2
Weight kg	380

### HPI 350 ECO

Working width	350mm
Quantity of needles	50
Standard needle diameter	4mm
Transport system	walking beam
Stroke height	200mm
Max passage height	180mm
Injection pressure	0.5 – 4 Bar
Stroke speed	15-55 /min
Injection area m/h	70
Max capacity in kg/hr	1500 approx.
Connected power kW	8
Weight kg	460

### HPI 350 PRO

Stroke height	240mm
Max passage height	220mm

### HPI 450

Working width	450mm
Quantity of needles	108
Standard needle diameter	4mm
Transport system	walking beam
Stroke height	200mm
Max passage height	180mm
Injection pressure	0.5 – 4 Bar
Stroke speed	15-55 /min
Injection area m/h	120
Max capacity in kg/hr	4000 approx.
Connected power kW	12
Weight kg	1400



## CONTACT

**CBS foodtech**  
 2/7 Jubilee Avenue  
 Warriewood, NSW 2102  
 info@cbsfoodtech.com.au  
 phone (02)99796722

